



WaterUps® Installation Guide

This guide is designed to cover most types of WaterUps® installations. Additional information specific to your situation may also be found in the individual guides on the website.

Table of Contents

The size of your wicking bed	1
Construction materials	1
Things you might need	2
Other materials needed	2
Level base	3
New constructions	3
Retro-fitting	3
Pond liner	3
Overflow pipe	4
Insert the inlet pipe	4
Adding the WaterUps® cells	4
Using WaterUps® joiners	4
Perlite in the wicks	5
Potting mix	5
Adding your soil mix	5
Add mulch	6
Observing the water level	6
Soil biology	6

The size of your wicking bed

WaterUps® are recycled plastic modular units, which allow you to construct a wicking bed of almost any length, width, shape and size.

Consideration needs to be given to the height of the bed. From the base you will need to allow 130mm for the cell height.

Given that a good potting mix will generate efficient wicking up to a height of around 350mm, we normally use a height of 400mm for our raised beds. This allows room for a generous layer of mulch.

The final height of the walls of your bed can also depend of what you intend to grow:

- There is no reason, for example, why you couldn't put WaterUps® cells in a window box or a herb garden planter with a potting mix depth of only 150mm, as the root systems of these plants are often shallow.
- Similarly, you could put a citrus tree in 600mm of potting mix, provided that the base of the root ball sits at around 350mm above the bottom of the wicking bed.



Ironwood® Sienna treated pine sleeper

Construction materials

WaterUps® wicking systems can be constructed using most landscaping materials – timber sleepers, corrugated iron, brick or stone and synthetic wood made out of recycled plastics such as eWood® etc.

We do not recommend the use of CCA treated pine due to issues around leaching of the toxic treatment materials.

Ironwood® Sienna sleepers, which are treated with MicroPro® micronized based preservative are, however, graded by the manufacturer as suitable for sensitive applications such as vegetable gardens.

Cypress pine sleepers are also a suitable construction material for raised beds, but are more expensive and not always readily available.

QUICK TIP

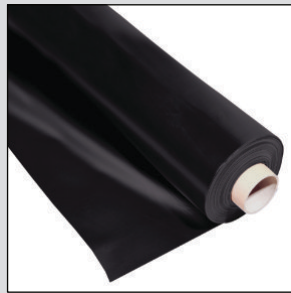
If you are using Ironwood® Sienna sleepers, then it is probably worth running the pond liner up to the level of the soil and securing it with staples. This will prevent any possibility of your soil coming into contact with the timber, and will also give the timber sleepers greater longevity.

You can also fit WaterUps® to Intermediate Bulk Containers (IBCs) and to virtually any planter tubs.

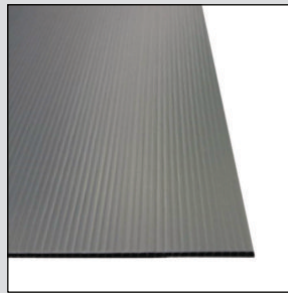
Things you might need



Geo Textile Fabric (GeoTec)
– may be used to seal the inlet and overflow pipes.



Pond Liner – This is used to create the water reservoir for your wicking bed.



Coreflute (corrugated plastic) boards – These can be used to provide a firm base in your wicking bed for the WaterUps® cells to sit on.



Silicon sealer or waterproof PVC adhesive – This may be used to seal the inlet and overflow pipes.



Gaffer tape or Duct tape – This can be used to secure the pond liner and GeoTec to the internal walls of your wicking bed.



Cable ties – Should be used to secure the overflow pipe to the underside of the WaterUps® cell.



A white marker pen, and a Stanley knife or box cutter – These will be helpful when installing the overflow pipe.



A Spirit level and a tape measure – These will be very helpful in setting out your wicking bed.



Speed Bore/Diamond Hole Saw – You will need one of these to drill a hole in the wall of your bed/planter to locate the overflow pipe.



Power drill – You will need a power drill to install the overflow pipe in your wicking bed.



Jigsaw/Hand saw – These can be used to cut WaterUps® cells to fit the desired internal dimensions of your wicking bed.



Perlite – Adding Perlite to the "wicks" will improve airflow through the soil.

Other materials needed

Pond liner – You will need:

- A minimum thickness liner of 0.5mm;
- When choosing your pond liner you should be aware that PVC liners are not classified as food grade. We recommend that they be used primarily for ornamentals.

QUICK TIP

Roll out your pond liner and place it in the sun half an hour before putting it in your wicking bed. This will soften the liner and make it easier to install.

- We recommend against using builders' plastic, as this does not have the durability of pond liner.
- The best pond liners are those manufactured from polyethylene and polypropylene such as LLDPE, HDPE, RPP and RPE.
- To work out how much pond liner you will need we suggest that you use the calculator tool on our website which you can go to using the link below.
- WaterUps® now has a Reservoir Insert that has been specifically designed to eliminate the need to cut pond liner for beds that are 1600mm x 800mm. For more information refer to the Products Page on our website.

Further Information

[Click here to go to the WaterUps® Product Calculator](#)

Geo Textile fabric (GeoTec) – may be required in some situations:

- We normally recommend that GeoTec be placed around the internal walls to cover where the cells abut the walls. However, if the bed has been constructed so that the gap between the edge of the cells and the walls is less than 5mm, then GeoTec will not be required.
- GeoTec can be also used in the base. Refer to the 'Level base' section on page 3 of this guide for more detail.
- Where you have had to cut through the feet of a WaterUps® cell in order to retro-fit an existing bed, you will need to use GeoTec to cover this area to ensure that soil does not get into the water reservoir below.

Silicon sealer or waterproof PVC

Adhesive/Sealer – This may be used to seal the PVC overflow pipe.

Hole Saw/Speed Bore – You will need either a 22mm hole saw or a speed bore to drill the wall of the bed/planter to locate the overflow pipe.

Cable Ties – You will need the following:

- 2 cable ties to secure the long PVC overflow pipe to the underside of the WaterUps® cell. This will only be needed when you have thicker timber walls that are too thick to accommodate the short screw overflow pipe;
- 8 cable ties are needed if you are using a WaterUps® Reservoir Insert to secure the folded flap on the insert to the top of the WaterUps® cells.

Level base

The first requirement for installation of a WaterUps® wicking bed is the selection of a site suited to the plants or crop to be grown, which is both level and solid from any sinkage or compression under the WaterUps® cell base.

If necessary, level the site and compact the area so the wicking bed will always remain level. Depending on the condition of the base soil you may wish to add 30mm of compacted road base or crusher dust to make the base more solid. If the base is level, but contains rough materials, such as blue metal, you may wish to cover this with GeoTec to protect the pond liner.

GeoTec can also be used to cover a sand base that is not fully compacted to provide additional support for the WaterUps® cell base. A sheet of corflute can also be used to help provide a firm platform for the cells to sit on.

QUICK TIP

Use a spirit level to check that your wicking bed is sitting on a level base.

New constructions

If you are constructing a new bed, the optimal internal dimensions should be in multiples of WaterUps® cells, ie 400mm x 400mm, plus an allowance for the pond liner of say 2mm on each side.

If you are adding WaterUps® cells to a large base area you may need to ensure that the walls of the bed are braced to ensure that they don't bow with the weight of the soil.

Retro-fitting

You can retro-fit WaterUps® cells to most existing raised beds. Wicking beds can also be made in most pots, troughs and planters, which can be sealed or waterproofed.

QUICK TIP

If you are retro-fitting an old planter or pot you will need to block/seal the drainage hole in the base.

WaterUps® cells can be cut to fit the desired internal dimensions and shape of the growing area by using a saw, or jigsaw for rounded sections. The best way to do this is to lay out a base of cells larger than the area required. Then, place the border, eg. corrugated steel bed frame, on top as the template for any cutting required. Trace around the perimeter with a white paint marker..

Work out the best positioning of the frame, aiming as much as possible to avoid cutting through any of the feet. This may not always be possible, but is not a problem as the area can be covered with GeoTec fabric to ensure that soil does not penetrate the water reservoir. If the resulting gap between the top of the cell at the wall of your bed is more than 10mm, you can also screw/staple on a piece of Corflute (corrugated plastic) to the top of the adjacent WaterUps® cell to cover the area, and then cover with GeoTec.

Pond liner

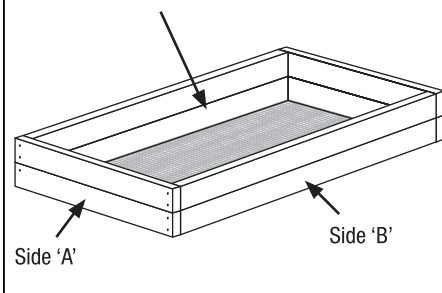
Ensure that the compacted base of the bed is free from sharp objects that could damage the pond liner. This can be achieved by laying GeoTec fabric or Corflute underneath the pond liner. Refer Figure 1.

QUICK TIP

Your pond liner will be more flexible and easier to use if it is left out in the sun for half an hour before installing.

Figure 1.

If the ground surface is a little rough you could place a layer of GeoTec fabric or Corflute on the ground under the bed to provide additional protection to the pond liner.



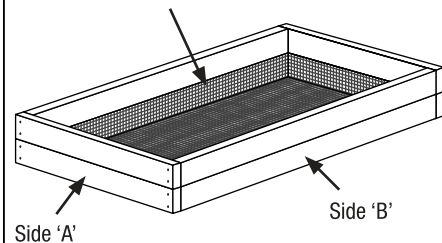
Ensure that the pond liner is pushed into each corner of the base. Before the liner is placed in position and the overflow pipe is installed, ensure that the liner extends at least 200mm above the base. Refer Figure 2.

QUICK TIP

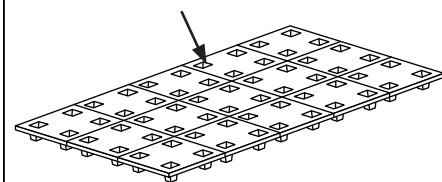
At this stage it is a good idea to attach the liner to the internal walls of your bed to make it easier to add the remaining cells. You can use galvanised clouts or staples for timber beds or Gaffer tape for steel and other types of beds.

Figure 2.

Install the pool type liner but do not complete until the overflow has been made. Refer Figure 3.



Example of wicking cells of 2000mm x 1200mm (5 x 3 cells)



Further Information

[Click here to view our video on how to clip the corner tabs of the WaterUps® Reservoir Liners](#)

QUICK TIP

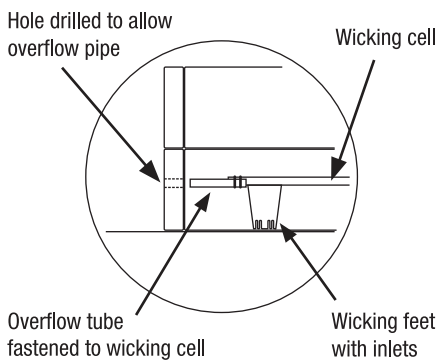
At this stage it is a good idea to attach the liner to the internal walls of your bed to make it easier to add the remaining cells and the potting mix. Depending on what your raised bed/planter is made from, you can use using galvanised clouts, or staples for timber beds or Gaffer tape for other this purpose.

Overflow pipe.

At WaterUps® we have 2 types of overflow pipes:

1. a short 30mm screw overflow pipe for use with Corro and steel raised beds and IBC's. To insert the screw overflow pipe, follow the instructions as for the long pipe below and in Figures 3, 4 and 5. Then with the bolt head on the inside push the pipe through the hole in the liner and the drill hole in the side wall of the bed. Then, add the washer and screw on the nut so that it secures the liner tightly to the inside wall of the bed.
2. a 250mm long PVC overflow pipe that can be cut to length for thicker walled beds such as timber sleepers. Refer figures 3 and 4.

Figure 3. How to mark hole to drill and allow for overflow tube. (Section of planter box)



Attach the overflow pipe to the space provided on the underside of the WaterUps® cell and secure with cable ties. Move the cell into place where the location of the overflow pipe can be marked against the inside wall of the bed for drilling (see Figure 4). Once the hole has been drilled, using a 22mm speed bore or hole saw, mark the position of the overflow pipe on the pond liner with a white marker pen.

Then using a knife cut out the hole as marked on the pond liner to align with the pre-drilled hole. Refer Figure 5.

Figure 4.

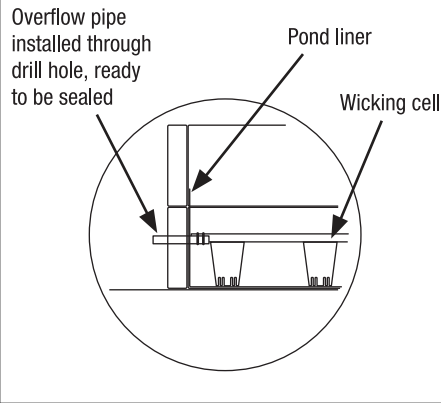
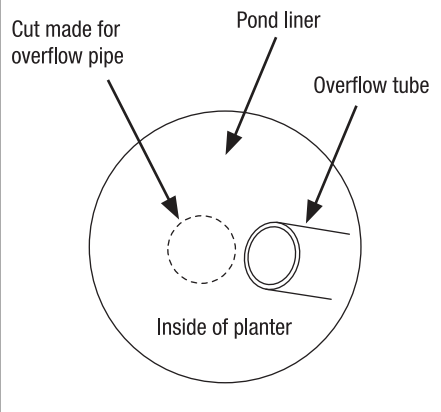


Figure 5.



Insert the inlet pipe

The new WaterUps® black inlet pipe has 3 lugs at the base that slot into the 3 matching holes in the inlet pipe recess on each cell. Refer image above.

QUICK TIP

Whilst not essential, we suggest that when planning the layout of your garden bed, that the Inlet pipe is located close to the overflow pipe so that you can see when water is flowing out of the overflow pipe.

To insert the inlet pipe:

1. There is a marked circle on each WaterUps® cell to indicate where to attach the inlet pipe.
2. Use a Stanley knife, or equivalent, to cut along the inner groove to remove the circle containing the text.
3. Ensure that the lugs on the pipe align with the holes in the inlet pipe recess on the cell and push the black inlet pipe until it locks in position.
4. To fill the reservoir put the hose into the inlet pipe and push it down to the bottom of the bed. This helps prevent reflux up through the top of the WaterUps® cells.

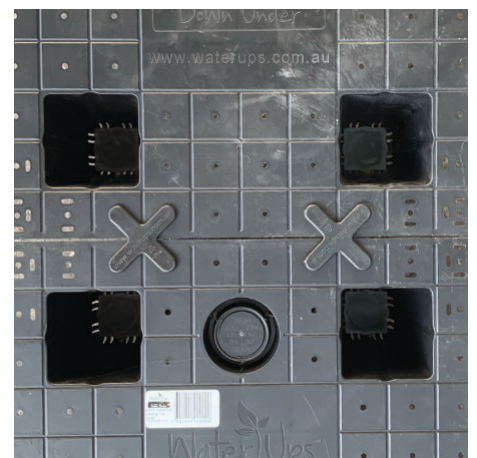
Adding the WaterUps® cells

You will already have positioned the WaterUps® cells containing the inlet and overflow pipes. The remainder of the cells can now be added and linked together using the joiners supplied. If the WaterUps® cells fit tightly together, joiners may not be required..

The last step, prior to filling with potting mix, is to lay some GeoTec (about 100mm wide), if required, around the outer edges of the WaterUps® cells where they meet the wall to ensure that dry soil does not get into the water reservoir below, which could occur if the gap is more than 5mm..

Using WaterUps® Joiners

WaterUps® Joiners are designed to clip into the round holes on the top of the WaterUps® cells in order to connect the cells together. Refer image below.



We recommend using the Joiners to ensure that the cell base of your wicking bed remains even and stable. This is particularly important when you have had to cut cells to fit the shape and size of your garden bed.

To place a WaterUps® Joiner push the 4 nobs on the underside of the joiner into the matching round holes on the top of the cells using your thumb or the palm of your hand.

QUICK TIP

It will require a moderate amount of force to insert the joiners into the holes in the WaterUps® cells. But once they are in it will be very difficult to remove them.

Joiners may not be required if you have constructed the bed to fit the cell dimensions and the cells fit firmly to the internal walls.



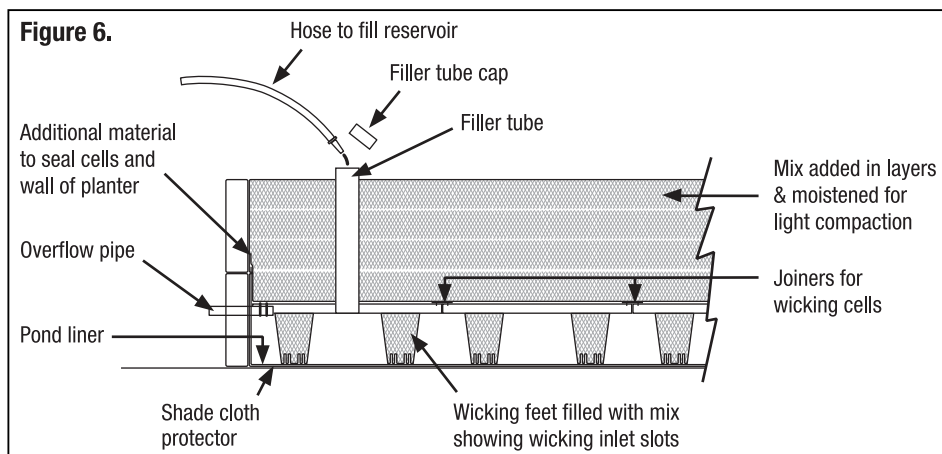
QUICK TIP

Before adding the perlite and any potting mix spray water over the WaterUps® cells. This will help combine any dry particles of soil and prevent them from entering the water reservoir below.

Perlite in the wicks

Adding Perlite to the 'wicks' will improve airflow through to the soil. Both fine and medium grain perlite work effectively for this purpose.

The wicks, which are the 4 feet at the base of each cell, should be filled with perlite. This will require approximately 2 litres of perlite per WaterUps® cell.



To work out how much Perlite you will need, we suggest that you use the calculator tool on our website which you can go to using the link below.

Further Information

[Click here to go to the WaterUps® Product Calculator](#)

Potting mix

For best advice we suggest that you speak to a local nursery or landscape supply company to discuss your plans and to get their input on your requirements.

Generally, we recommend a mix containing around 50% organic garden mix and 50% compost and organic matter, including mushroom compost and various animal manures.

You should avoid having any sand added to the mix.

To work out how much potting mix/soil you will need we suggest that you use the calculator tool on our website which you can go to using the link above.

This will provide quantities of both bulk and bagged mix.

QUICK TIP

If you are purchasing bulk mix check it before it leaves the truck to ensure that it is the premium quality that you ordered.

Adding your soil mix

In order to achieve the most efficient wicking outcome, we suggest:

1. that your soil/potting mix should contain a good amount of composted material and organic matter.
2. After filling the wicks with perlite add potting mix evenly across the top of the wicking cell platform to a depth of around 10cm. Once this base level has been established give the mix another light spray to assist the compaction. Continue filling the bed with potting mix in layers, giving each layer a light spray of water.

QUICK TIP

For the right choice of soil/potting mix we suggest that you speak to a local nursery or landscape supply company to discuss your plans and to get their input on your requirements.

Give the soil in your raised bed a final soak and then insert the hose into the filler pipe and fill with water until you observe the overflow pipe discharging water, which indicates the reservoir is full. Then place the cap on the inlet pipe to prevent insects or other debris entering the reservoir. Refer Figure 6 at the top of this page.

A wicking bed of 1200mm x 2000mm (15 WaterUps® cells) will contain almost 300 litres of water. Ideally, allow 24 hours for the soil to 'wick' water up into the bed and then fill the reservoir again via the inlet pipe.

The wicking bed is now ready to use. If planting small seedlings, the bed will need surface watering for a couple of days while their roots develop and the wicking action is fully functioning.

Add mulch

Mulching is vital to keep the top of the soil moist and moderate soil temperature. We suggest a 20mm layer of mulch is applied to the top of the bed.

The ideal mulches contain lucerne, sweet pea, sugar cane and tea tree.

Bark chips are more decorative, but less effective.

After mulching give it a light watering to settle it in.

QUICK TIP

Ensure that the mulch is kept away from the stem of each plant to avoid collar rot.

Observing the water level

To check the water level in your wicking bed place a dip stick down the inlet pipe to check the levels each week and only fill when the level drops to less than 1/4 full. In periods of prolonged extremely hot dry weather it may be useful to give your plant a spray of water in the evening if you see the leaves showing signs of heat stress.



QUICK TIP

Do not top up the wicking bed's water reservoir too often. Allow the water level to fall before refilling. This helps with the aeration of the soil.

Soil Biology

Continue to improve your soil biology with the addition of manures, compost and organic matter will reward you with nutrient rich, homegrown, healthy plants. Add worm teas and compost teas reasonably regularly.

QUICK TIP

Give your plants a boost by adding worm tea or compost tea to your bed.

For additional information and to view Guides on how to install WaterUps in specific situations please refer to the DIY Installation Guides which you can find on our website using the link below.

Further Information

[Click here to view the various resources available on our website to help you get started](#)

For more information on soil and potting mix please refer to our *Soil Considerations Guide* which you can download from our website using the link below.

Further Information

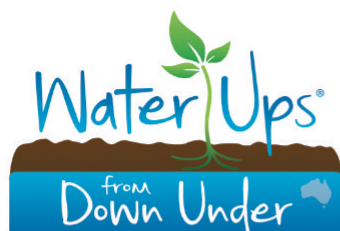
[Click here to view & download our Soil Considerations Guide which has more information on soil and potting mix](#)

Disclaimer:

The WaterUps® Website is owned and operated by WaterWix Pty Ltd – ABN 58 166 973 011.

The information contained in this document is provided as is and without any warranties of any kind, whether expressed or implied. Users are advised to make their own determination as to the suitability of this information in relation to their particular purpose or specific circumstances. No responsibility can be accepted by WaterUps®, WaterWix Pty Ltd, or its staff for any loss resulting from any action taken or reliance made by you on any information contained in this document.

Copyright © 2020 WaterWix Pty Ltd. All rights reserved. WaterUps and the WaterUps Logo are registered trademarks of WaterWix Pty Ltd.



Save Water...
Save Time...
Grow Healthier Plants



Affiliations



Accreditations



www.waterups.com.au

Phone: 1300 205 550 Email: sales@waterups.com.au